



Cronus is a SmartNIC PCIe card designed for network monitoring and security applications that require high throughput and low latency. It is a unique, hardware accelerated solution that combines network monitoring capability with Security Analytics Acceleration (SAA) and content processing. Cronus SmartNIC is a customisable Network Interface Card (NIC) enabling security log analytics offload for accelerating Security Information and Event Management (SIEM) tools. It is used as a fast filtering appliance to deliver time sensitive and vital data that SIEM systems need. It merges data from multiple sources, such as network sensors and switch and router security logs. Cronus performs rule-based content analysis, feature extraction and log filtering on this data. It then steers the extracted data to the designated SIEM functions. The Cronus Software Development Kit (SDK) is comprised of a SIEM plug-in (Splunk®) and regular expression (RegEx) log packet rule compiler.

KEY FEATURES

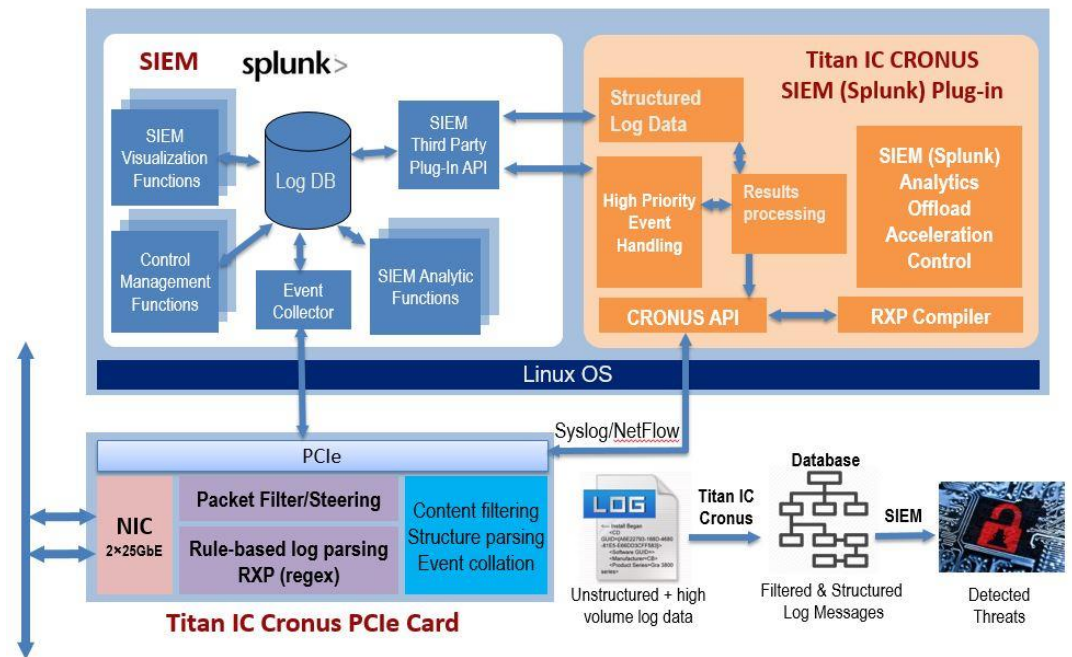
- ❖ Log filtering and steering of relevant information to designated SIEM functions
- ❖ Custom purpose event log analytics
- ❖ Feature extraction for machine learning
- ❖ Event filtering
- ❖ Customisable for various SIEM tools
- ❖ Out-of-the-box Splunk® integration
- ❖ Post-processing and formatting
- ❖ 2 x 25 GbE Network Interface Card
- ❖ Standard and customer defined log parsing features

KEY BENEFITS.....

- ❖ Security Analytics Acceleration
- ❖ Significant CPU offload while achieving wire speed performance
- ❖ Splunk® server offload – freeing up resources
- ❖ Not constrained by data volume
- ❖ Massive reduction of real-time log data by pre-processing and filtering at the NIC
- ❖ Reduced capital costs
- ❖ Lower operating costs
- ❖ Lower heat dissipation

DATA FLOW – HIGH THROUGHPUT CONTENT INSPECTION

Cronus is designed to acquire log data from various sources, which may either be semi-structured or unstructured. Log data requires effective rule-based parsing because the format of the data varies widely and up to 90% of the data may be redundant or irrelevant in nature. Cronus analyses and structures various syslog packets and data formats using rules-based regular expression pattern matching. The Cronus SIEM plugin below, enables effective integration with various SIEM components, such as event handling and log database.



SPECIFICATION.....

The specification for the Cronus SmartNIC card is outlined below:

Product Name	Cronus
Network Interface	2 x 25 GbE
Host Interface	PCI Express v3.0 8-lane
Power	35 W
Card Size	½ height, ½ length PCIe

2017 Titan IC Systems Limited. All rights reserved. Titan IC Systems and Titan IC logo are trademarks of Titan IC Systems Limited (NI065218). Intellectual properties outlined in this material are protected under Titan IC Systems Limited patents and patents pending. DISCLAIMER - All other product names that appear in this material are for informational purposes only and are acknowledged to be trademarks or registered trademarks of their respective companies. Subject to changes or corrections. V2.2 – February 2017